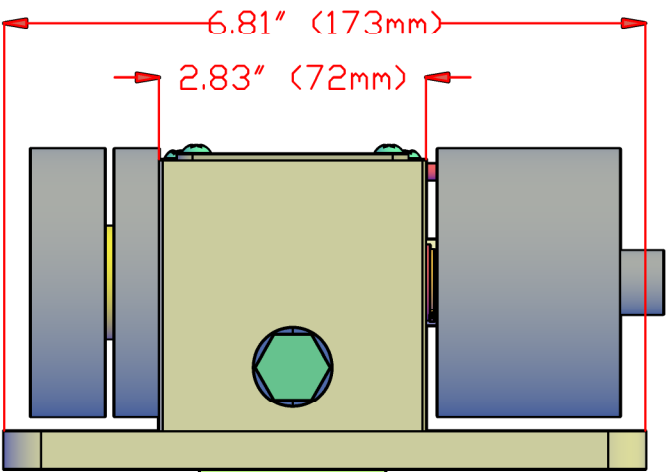
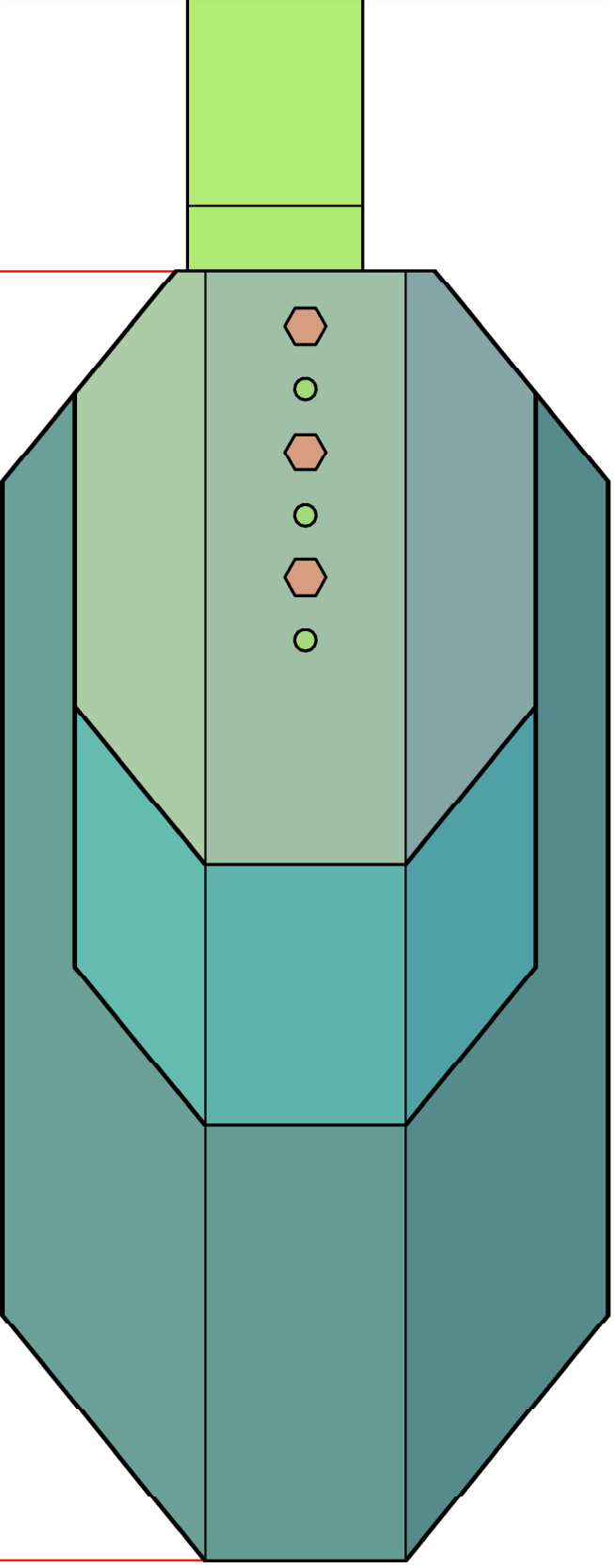


Dimensions for actual DLS-001 Flow Sensor - FRONT VIEW



Paddles can be adjusted by 2.6" (66mm) Along Arm

for 7.75" (200mm) to 9.75" (250mm) diameter pipe sizes
 for 10.75" (275mm) to 14" (355mm) diameter pipe sizes
 for 15.75" (400mm) to 17.75" (450mm) diameter pipe sizes



Hohner provides three paddles for different pipe sizes, each paddle can be adjusted within the arm as well, to provide finer adjustment towards the right pipe size

Hohner Automation Ltd. own the copyright in this drawing which must not be reproduced or utilised other than for the purpose intended by them without prior approval

MATERIAL	SCALE	DATE	SHEET 3 OF 3
Stainless Steel	1 unit = 1 mm	November 17, 2009	
TITLE: WEB DIMENSIONS Actual DLS-001 Flow Sensor FRONT		DWG #: FS-DM-FRD-01	